

S LUM MINI



**LUMENIA
STREET**

S LUM MINI LED light is small in size, but offers nothing mini in regard to system efficacy and power. Great for lighting pedestrian areas, streets, and parking lots.



	S LUM MINI		
System efficacy*	Up to 159 lm/W		
Supply voltage	220–240 VAC		
Power	10 W	20 W	30 W
Luminous flux*	1,590 lm	3,185 lm	4,580 lm
Power factor	>0.96		
Advisable installation height	Up to 6 m		
Weight	4 kg		
Lifetime L80B10	>100,000 h		
CCT	2700 K, 3000 K, 4000 K		
CRI	≥70; ≥80 upon request		
Ingress protection	IP 66		
Mechanical strength	IK 09		
Surge protection options	10 kV / 6 kV; additional SPD 10 kV / 10 kA		
Operating temperature	-40 °C to +55 °C		
Electrical / Appliance class	Class I, Class II		
Tilt	-10° to 15°		
Dimming levels	0-100 %		
Remote control options	Optional RF or PLC		
Colour (RAL)	RAL 7037		
Housing material	Aluminium		
Mounting	Pole 60 mm or 76 mm		
Warranty	5 years on electronics, 10 years on mechanical parts		
Certificates	EN 60598-1:2015 + A1:2018, EN 60598-2-3:2003 + A1:2011, EN 60068-2-6:2008, EN 60068-2-27:2009, IEC/TR 62778:2014, EN 61347-2-13, IEC 62031:2008 (First Edition) + A1:2012 + A2:2014, LM79,CE,CB,ENEC		

* +/- 10%, depends on CCT and CRI.

VARIATION	Economy	Standard	Premium
Efficacy	Up to 130 lm/W	Up to 159 lm/W	Up to 159 lm/W
Tool-less entry	No	Yes	Yes
Overheat protection	No	Yes	Yes
Number of optics	5		
Different CCT available	2200K - 5700K CRI70/CRI80		
Dimming options	No	DALI, 5 - step dimming, CLO	DALI System Ready, Zhaga, 5 - step dimming, CLO
Time dependant luminous flux	No	Yes	Yes
External SPD 10kV / 10kA integrated	No	No	No
Additional options	External SPD 10kV / 10kA	External SPD 10kV / 10kA, PLC, Wireless control, Nema ready	External SPD 10kV / 10kA, PLC, Wireless Control

DALI or DALI SR

Control options

159 lm/W

System efficacy



LED module



Energy saving product



Smart Driver



Overload protection



Supply voltage



Surge protection device



Protection class



Mechanical strength



Long life



Appliance class I



Appliance class II



Easy mounting



Made in EU



5-step dimming



CE certificate



Recyclable materials



ENEC certificate

MAIN FEATURES

Easy to install
Constant Light Output
Screw-less access

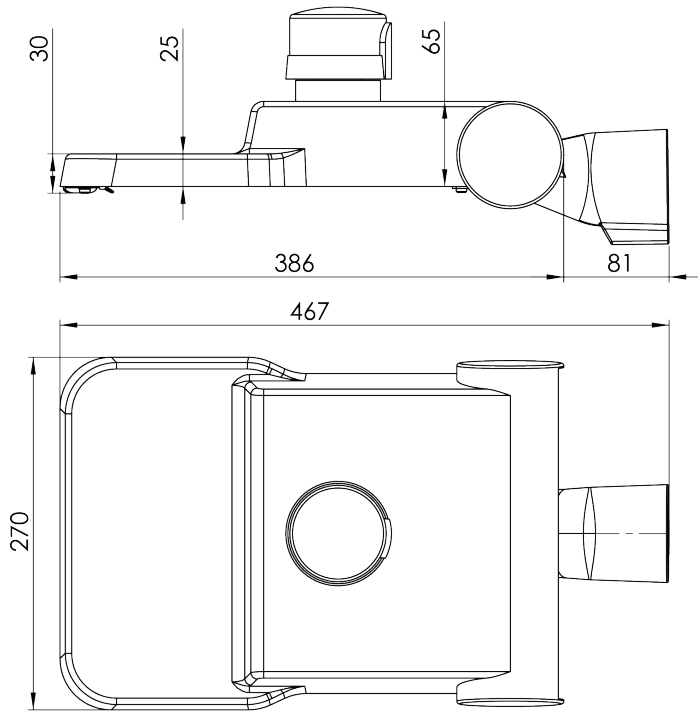
APPLICATIONS

Pedestrian areas
Streets
Parking lots

ACCESSORIES

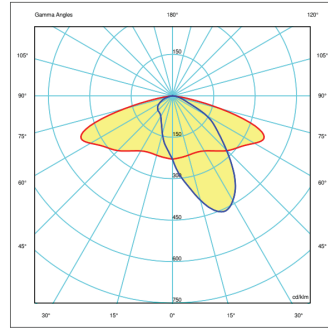
System ready driver
Lightswitch
PLC / RF control
SPD (Surge protection device)
Nema socket
Zhaga socket

DIMENSIONS

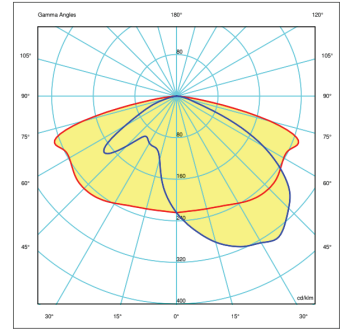


*All dimensions are in mm.

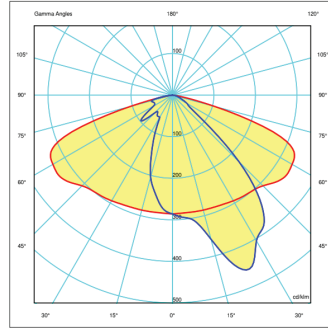
OPTICS



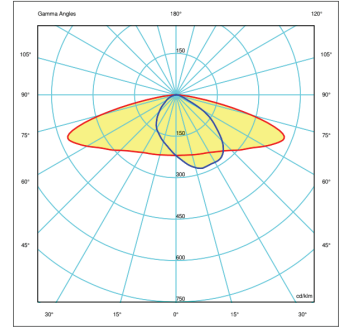
002: Suitable for narrower roadways, access roads, cycling and pedestrian areas.



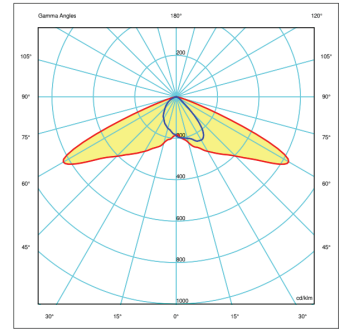
003: Suitable for wider roadways with large distances between poles.



020: Suitable for wider roadways with large distances between poles.



220: Suitable for wide roadways and long distances between poles.



222: Suitable for wide roadways and long distances between poles.

PRODUCT VARIATIONS

Economy

Article	Power [W]	Luminous flux [lm] *	Efficacy [lm/W]	Additional options
SME.F.SA.32.010_ _ _	10	Up to 1300/1200/1000	Up to 130/120/100	SPD
SME.F.SA.64.020_ _ _	20	Up to 2600/2400/2000	Up to 130/120/100	SPD
SME.F.SA.64.030_ _ _	30	Up to 3900/3600/3000	Up to 130/120/100	SPD

Standard

Article	Power [W]	Luminous flux [lm] *	Efficacy [lm/W]	Additional options
SMS.T.SA.32.010_ _ _	10	Up to 1590/1490/1390	Up to 159/149/139	SPD, PLC, RF, Nema
SMS.T.SA.64.020_ _ _	20	Up to 3181/2980/2780	Up to 159/149/139	SPD, PLC, RF, Nema
SMS.T.SA.64.030_ _ _	30	Up to 4579/4290/3990	Up to 153/143/133	SPD, PLC, RF, Nema

Premium

Article	Power [W]	Luminous flux [lm] *	Efficacy [lm/W]	Additional options
SMPT.SA.32.010_ _ _	10	Up to 1590/1490/1390	Up to 159/149/139	SPD, PLC, RF, Nema
SMPT.SA.64.020_ _ _	20	Up to 3181/2980/2780	Up to 159/149/139	SPD, PLC, RF, Nema
SMPT.SA.64.030_ _ _	30	Up to 4579/4290/3990	Up to 153/143/133	SPD, PLC, RF, Nema

*Luminous flux is valid for CCT 4000 K / 3000 K / 2700 K

The latest validated data is available at www.lumenia.com.