

# F LUM MINI GEN 2



**LUMENIA  
OUTDOOR**

F LUM Mini is our smallest outdoor fixture used to illuminate small sized areas. Available in wide range of lumen output packages, it features a compact design and light weight, while maintaining excellent heat dissipation ability.



|                          | F LUM MINI GEN 2            |                    |                 |
|--------------------------|-----------------------------|--------------------|-----------------|
| System efficacy          | Up to 145 lm/W              |                    |                 |
| Supply voltage           | 220-240 VAC                 |                    |                 |
| Power                    | 30-50W                      | 80W - 100W         | 150W            |
| Luminous flux            | 4,350-7,250 lm              | 11,600 - 14,500 lm | Up to 21,750 lm |
| Weight                   | 1.8 kg                      | 2.8 kg             | 3.9 kg          |
| Power factor             | > 0.90                      |                    |                 |
| Lifetime L70B10          | > 50,000 h                  |                    |                 |
| CCT                      | 4,000 K, other upon request |                    |                 |
| CRI                      | > 70                        |                    |                 |
| Ingress protection       | IP 66                       |                    |                 |
| Mechanical strength      | IK 08                       |                    |                 |
| Surge protection options | 6kV; SPD 10kV/kA (Optional) |                    |                 |
| Operating temperature    | -30 °C to + 50 °C           |                    |                 |
| Colour                   | Grey                        |                    |                 |
| Housing material         | Aluminium                   |                    |                 |
| Warranty                 | 5 years                     |                    |                 |
| Certificates             | CE                          |                    |                 |



145 lm/W  
System efficacy



LED module



Energy saving product



Overload protection



220-240V  
Supply voltage



IP 66  
Protection class



IK 08  
Mechanical strength



Long life



Low maintenance



Ready to use



Easy mounting



CE certificate

## MAIN FEATURES

Efficacy up to 145 lm/W

Easy mounting

No flickering

Compact size and light weight 180° projecting angle

## APPLICATIONS

Architectural lighting

Billboards

Parking lots

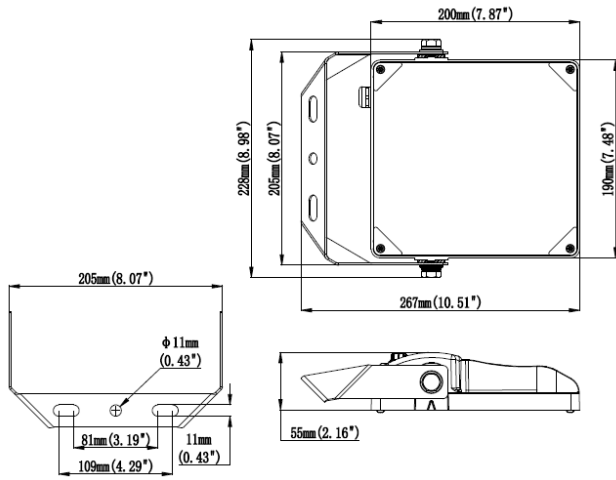
Gas stations

Small and medium sport fields

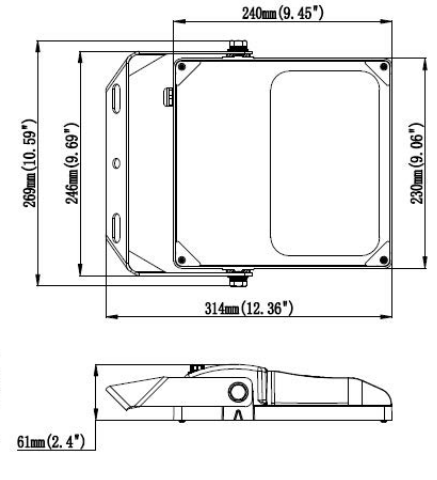


# DIMENSIONS

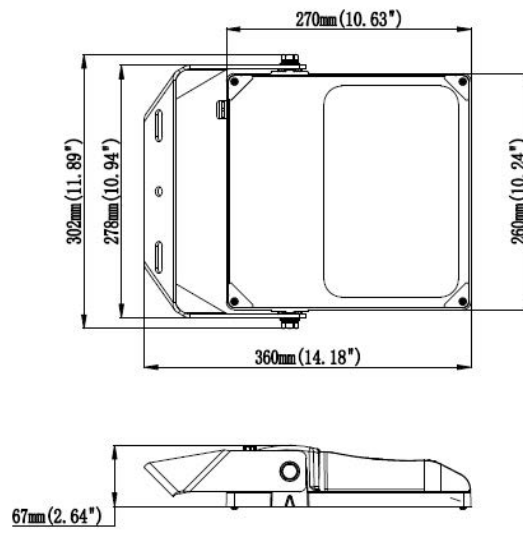
30-50 w



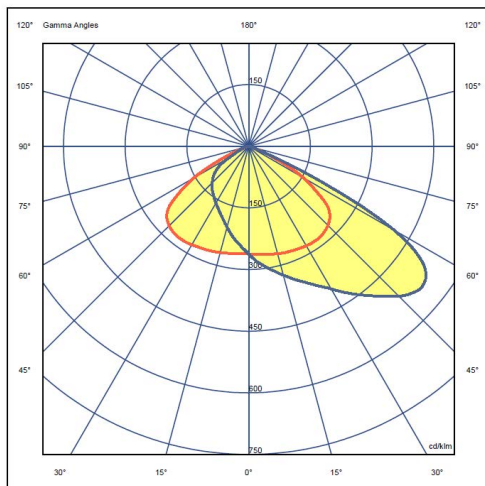
80-100 W



150 W



# OPTIC



Asymmetric light distribution of 45°.

## PRODUCT VARIATION

| Article                        | Power [W] | Luminous flux [lm]* | Efficacy [lm/W] |
|--------------------------------|-----------|---------------------|-----------------|
| F LUM MINI G2 064.050.000.4070 | 30-50     | 4,350-7,250         | 145             |
| F LUM MINI G2 128.100.000.4070 | 80-100    | 11,600-14,500       | 145             |
| F LUM MINI G2 192.150.000.4070 | 150       | 21,750              | 145             |

\*Luminous flux is valid for CCT 4000 K