

G LUM

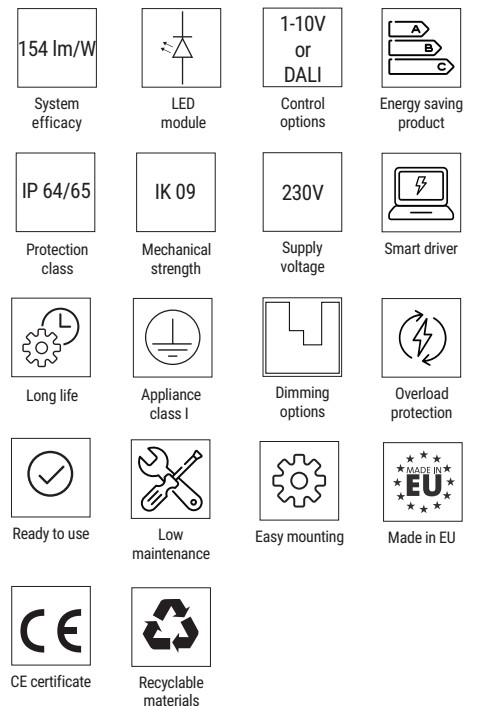


**LUMENIA
INDUSTRIAL**

The G LUM LED light is distinguished by an ultra-light, compact, and highly aesthetic design, thus allowing swift modernization of existing industrial lighting systems with considerable energy savings. The revolutionary diffuser technology provides a pleasant light that is distributed to the place where it is needed. It has a modular construction, different lengths, and various power levels.



	G LUM
System efficacy	Up to 154 lm/W
Supply voltage	220-240 VAC 50 ÷ 60 Hz
LED	48-240
Power	18-60 W
Luminous flux	2,501 - 8,800 lm
Power factor	> 0.97
Advisable installation height	Up to 7 m
Weight	2.4 kg, 3.5 kg
Lifetime L80B10	> 80,000 h / 50,000 h (Economy version)
CCT	4,000 K; 5,700 K on demand
CRI	> 80
Photobiological risk	Risk Group 0
SDCM	4
Ingress protection	IP 64 / IP 65
Mechanical strength	IK 09
Surge protection options	1 kV / 2 kV
Operating temperature	-20 °C to +50 °C
Electrical / Appliance class	Class I
Dimming levels	0 - 100 %
Remote control options	DALI or 1-10V
Colour	Silver matt
Housing material	Housing: extruded anodised aluminium Diffuser: extruded PMMA optic
Mounting	Pendant or surface mounting
Warranty	5 years
Certificates	EN 55015: 2013; EN 61547: 2009; EN 61000-3-2: 2014; EN 61000-3-3: 2013; IEC/EN 60598-1:2014, IEC/EN 60598-2-1:1979 + A1:1987, EN62471:2008, CB, CE



MAIN FEATURES

Energy efficacy up to 154 lm/W
Optional build-in motion sensor
Aluminium housing

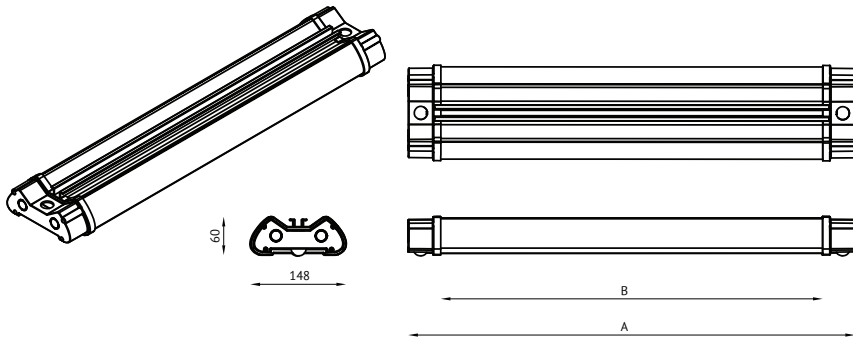
APPLICATIONS


Working stations
Warehouses and garages

ACCESSORIES

Motion detector
Wire mounting bracket

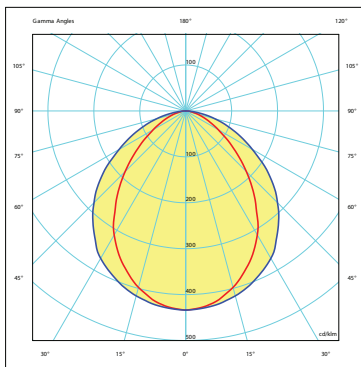
DIMENSIONS



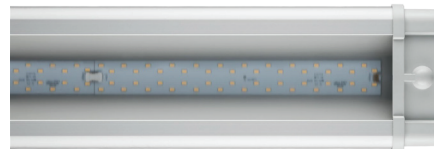
SIZES	60	1200
A	696	1302
B	596	1202
 KG	2,4 kg	3,5 kg

*All dimensions are in mm.

OPTIC



Suitable for industrial facilities with lower mounting heights.



Semi-Transparent diffuser (ST)



Opal diffuser (OP)

PRODUCT VARIATIONS

Article	LED	Power [W]	Luminous flux [lm]	Efficacy [lm/W]	Forward current [mA]	Body type	Diffusor	Control	Luminaires per fuse	Appliance class	Additional options
G LUM 18.600.OP	96	18	2501	139	60	GLUM A1	Opal	DALI; Programmable; W/O	< 64	Class I	Motion detector
G LUM 18.600.ST	96	18	2770	154	60	GLUM A1	Semi-transparent	DALI; Programmable; W/O	< 64	Class I	Motion detector
G LUM 36.1200.OP	192	36	5008	139	60	GLUM A2	Opal	DALI; Programmable; W/O	< 45	Class I	Motion detector
G LUM 36.1200.ST	192	36	5548	154	60	GLUM A2	Semi-transparent	DALI; Programmable; W/O	< 45	Class I	Motion detector
G LUM 60.1200.OP	192	60	7790	130	90	GLUM A2	Opal	DALI; Programmable; W/O	< 32	Class I	Motion detector
G LUM 60.1200.ST	192	60	8800	147	90	GLUM A2	Semi-transparent	DALI; Programmable; W/O	< 32	Class I	Motion detector
G LUM 55.1200.OP	192	55	7117	129	91	GLUM A2	Opal	DALI; Programmable; W/O	< 32	Class I	Motion detector
G LUM 55.1200.ST	192	55	7883	143	91	GLUM A2	Semi-transparent	DALI; Programmable; W/O	< 32	Class I	Motion detector

*Luminous flux is valid for CCT 4000 K

The latest validated data is available at www.lumenia.com.

G LUM MOUNTING ACCESSORY



Mounting on the ceiling



Mounting on steel wire

G LUM MOTION DETECTOR

G LUM Motion detector contains a high frequency Doppler Effect module. This module transceives the electromagnetic waves at the 5.8 GHz frequency. As the object moves, the waves reflect back to the module, where detecting happens. A benefit of the radar sensor is that it doesn't use heat differences to detect movement, like the PIR technology, meaning that the sensor can detect any moving object. This feature is great in garage houses, where cars are often cold and the PIR sensor has difficulty detecting them. The sensor is hidden inside the G LUM plastic side cover.

FUNCTIONAL SPECIFICATIONS

- Detecting any moving object
- Preprogrammed dimming levels
- Final settings can be done on field, by setting sensitivity, and ON delay time
- Detection range up to 12 m
- Delay time from 5 seconds to 3 minutes

