



LUMENIA
OUTDOOR



LIGHTING FOR BIG IMPACT

Cutting edge technology meets high
efficiency





LIGHTING FOR BIG IMPACT

Cutting edge technology meets high
efficiency

LUMENIA OUTDOOR

High quality luminaires that require little maintenance, offer significant energy savings and excel at illuminating defined outdoor areas.

Medium-sized parking lots, gas stations or large recreational sports facilities, LUMENIA OUTDOOR collection can be used in all manners of places. High quality construction and materials ensure that these luminaires won't give in to the elements of dust or humidity.

EXCELLENCE

Precision engineered to perform and provide superior durability and efficient operation with long lifespan and high visual comfort.

EFFICIENCY

Efficacy of up to 150 lm/W places LUMENIA luminaires toward the high-efficiency end, enabling lower cost in energy usage and, in combination with competitive pricing, a short return on investment.

LONG SERVICE LIFE

Because of their strength and stable structure, they are an ideal choice for rougher conditions. Their durability makes them perfect for exposure to weather, wind, and rain.

HIGH SYSTEM POWER

With a luminous flux of up to 180,000 lm, LUMENIA OUTDOOR luminaires are suitable for even the highest demands.

F LUM



F LUM MIDI

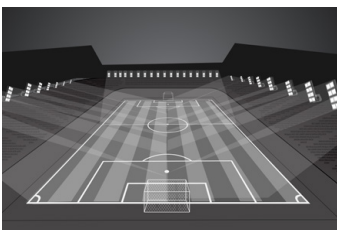


F LUM MINI



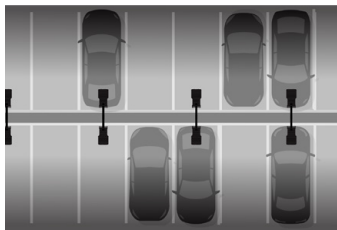


Stadiums & other sport facilities



F LUM & F LUM MIDI

Parking lots



F LUM MIDI & F LUM MINI

Facades



F LUM MINI

F LUM

The F LUM LED floodlight is our high power outdoor luminaire. It features a robust construction with modular design along with precision aiming device for adjustment and a visor that reduces lighting pollution spill. Other features include a remote driver placement for easier maintenance without the use of ladder or cherry picker truck.

MAIN FEATURES

- System efficacy of up to 150lm/W*
- Lifetime of more than 60,000 h
- Detachable driver
- Adjustable lumen output
- Multiple optics
- Adjustable projecting direction

MECHANICAL FEATURES

- Ingress protection level of IP 66
- Impact protection level of IK 08
- Aluminium housing

DURABILITY

- Lifetime of more than 60,000 h
- Operating in high ambient temperature range
- Temperature protection technology



*depends on CCT & CRI



APPLICATION AREAS



STADIUMS



INDUSTRIAL



AIRPORTS



HARBORS



SQUARES



PARKING AREAS

FEATURES



LOWER CO₂
EMISSIONS



RECYCLING



5-YEAR
WARRANTY



DALI

F LUM MIDI

F LUM Midi is our middle-sized outdoor fixture used to illuminate medium sized areas. It is available in wide range of lumen output packages and various symmetric and asymmetric beam angles. It features a die cast aluminium housing with cooling fins, long lifetime and high system efficiency.

MAIN FEATURES

- System efficacy up to 144 lm/W*
- Low maintenance cost
- No flickering
- 180° projecting angle
- Plug&Play Lightweight installation

DURABILITY

- Lifetime of more than 50,000 h
- Overheat protection
- Thermal management

MECHANICAL FEATURES

- Ingress protection level of IP 66
- Impact protection level of IK 08
- Aluminium housing
- Compact size and light weight
- Easy and quick installation

*depends on CCT & CRI





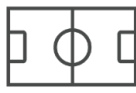
APPLICATION AREAS



BUILDING
EXTERIOR



PARKING AREAS



SMALL AND
MEDIUM SIZED
SPORT FIELDS



BILLBOARDS

FEATURES



LOWER CO₂
EMISSIONS



RECYCLING



5-YEAR
WARRANTY



DALI

F LUM MINI

F LUM Mini is our smallest outdoor fixture used to illuminate small sized areas. Available in wide range of lumen output packages, it features a compact design and light weight, while maintaining excellent heat dissipation ability.

MECHANICAL FEATURES

- Ingress protection level of IP 66
- Impact protection level of IK 08
- Aluminium housing
- Compact size and light weight
- Easy and quick installation

MECHANICAL FEATURES

- Ingress protection level of IP 65
- Impact protection level of IK 08
- Aluminium housing
- Compact size and light weight
- Easy and quick installation

*depends on CCT & CRI





APPLICATION AREAS



FACADES &
BUILDING
EXTERIOR



GAS STATIONS



PARKING
AREAS



BILLBOARDS

FEATURES



LOWER CO₂
EMISSIONS



RECYCLING



5-YEAR
WARRANTY

KEY CHARACTERISTICS

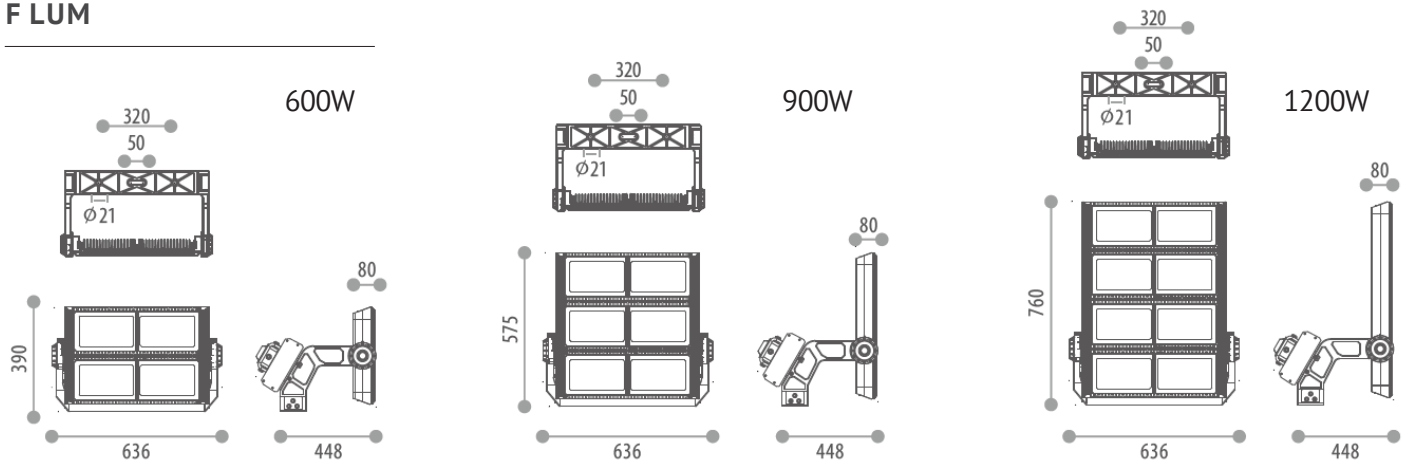
Model	F LUM			F LUM MIDI			F LUM MINI		
Supply voltage	220-240 VAC			220-240 VAC			220-240 VAC		
System power	600W	900W	1200W	200W	250W	300W	30-50 W	80-100 W	150 W
Luminous flux	Up to 90,000 lm	Up to 135,000 lm	Up to 180,000 lm	Up to 28,400 lm	Up to 36,000 lm	Up to 42,300 lm	Up to 6,550lm	Up to 13,200lm	Up to 19,650lm
Efficacy*	Up to 150 lm/W	Up to 150 lm/W	Up to 150 lm/W	Up to 142 lm/W	Up to 144 lm/W	Up to 141 lm/W	Up to 132 lm/W	Up to 132 lm/W	Up to 131 lm/W
CRI	>70			>70			>70		
Standard CCT	5,000 K, other CCT upon request			4,000 K, 5,000 K			4,000 K, 5,000 K		
Number of diferent optics	3			3			1		
Lifetime	L70B10 > 60,000 h			L70B10 > 50,000 h			L70B10 > 50,000 h		
Communication protocol	DALI, 1-10V			DALI; 1-10V			/		
IP	66			66			65		
IK	08			08			08		
Operating temperature	From -30 °C to +50 °C			From -30 °C to +50 °C			From -20 °C to + 50 °C		
Housing material	Aluminium			Aluminium			Aluminium		
Warranty	5 years			5 years			5 years		

*depends on CCT & CRI

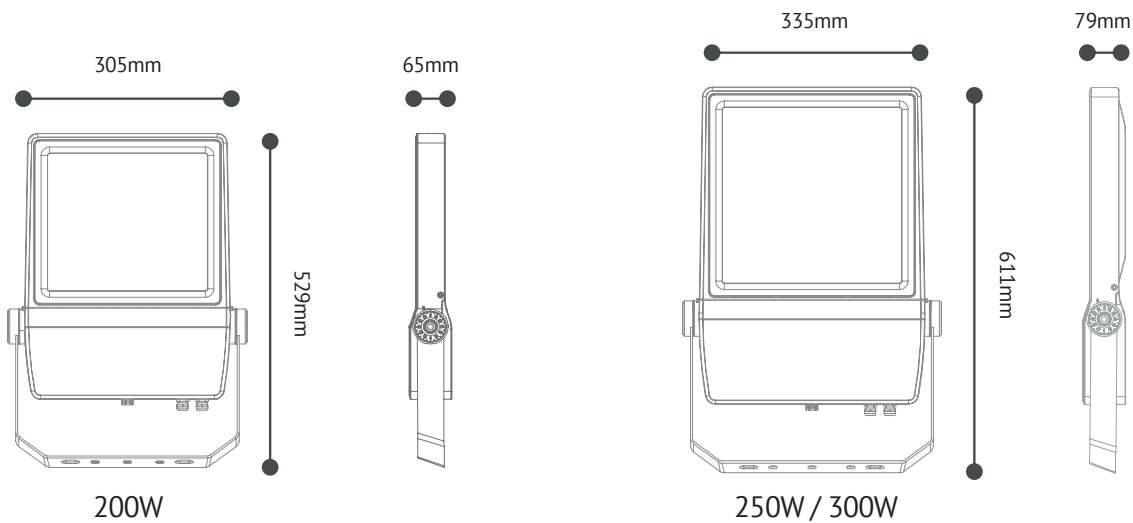
The latest validated data is available at www.lumenia.com.

PRODUCT DIMENSIONS

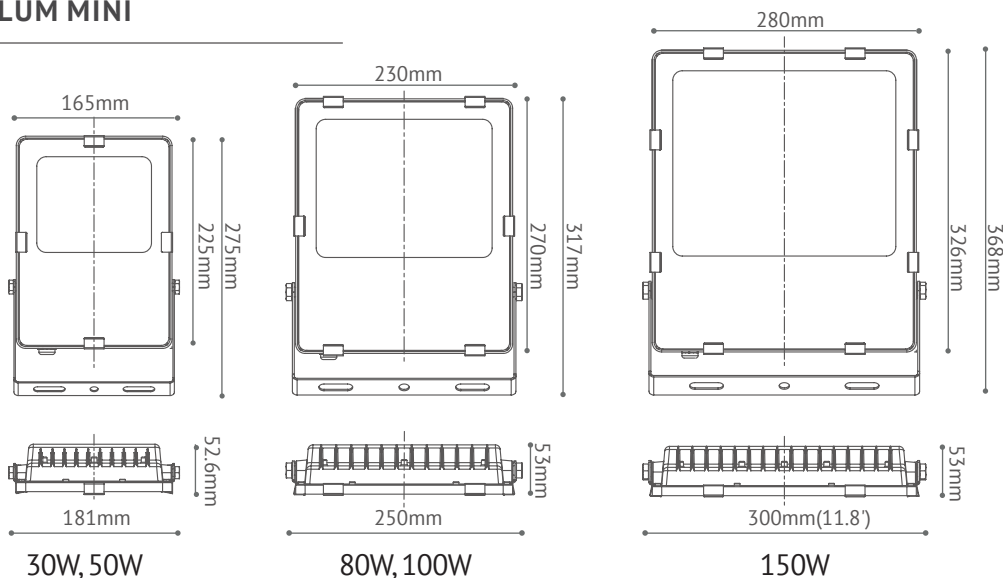
F LUM



F LUM MIDI



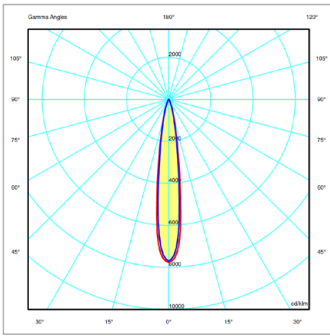
F LUM MINI



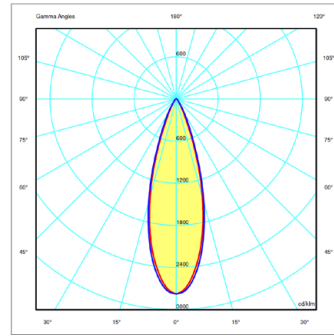
*All dimensions are in mm.

PRODUCT OPTICS

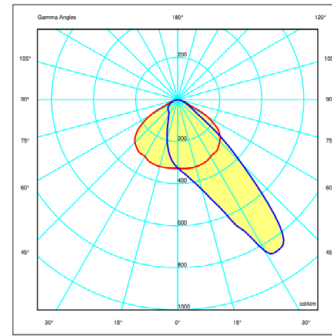
F LUM



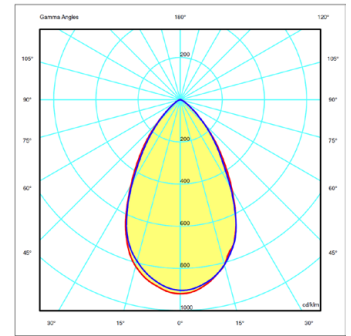
000: Distribution of luminance of 15 degree.



001: Distribution of luminance of 30 degree.

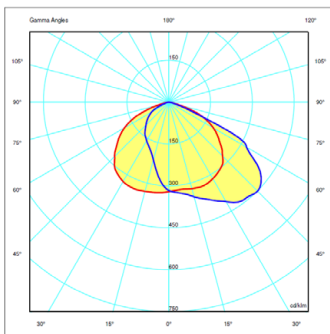


002: Distribution of luminance of 45 degree.

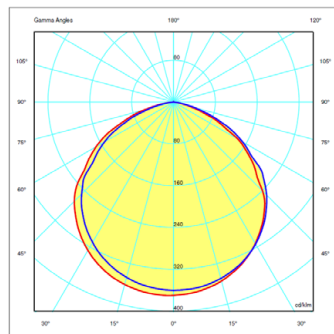


010: Distribution of luminance of 60 degree.

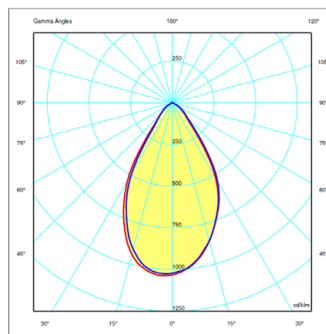
F LUM MIDI



000: Polarized distribution of luminance of 45 degree.

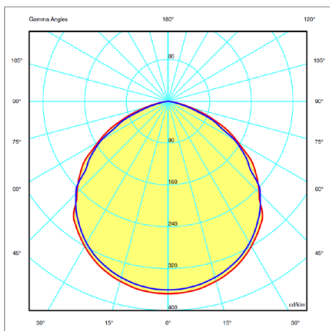


010: Distribution of luminance of 110 degree.



001: Distribution of luminance of 60 degree.

F LUM MINI



010: Distribution of luminance of 110 degree.



Investment in LUMENIA OUTDOOR is an efficient decision



**Sustainable
Environment**



**Energy
Savings**



ROI



**5-year
Warranty**



**Quick
Installation**



**High
Performance**



Dimmable



**Low
Maintenance**



**Longer
Lifetime**



Remote control

