

F LUM MINI GEN 2



LUMENIA
OUTDOOR

F LUM Mini is our smallest outdoor fixture used to illuminate small sized areas. Available in wide range of lumen output packages, it features a compact design and light weight, while maintaining excellent heat dissipation ability.



	F LUM MINI GEN 2		
System efficacy	Up to 145 lm/W		
Supply voltage	220-240 VAC		
Power	30-50W	80W - 100W	150W
Luminous flux	4,350-7,250 lm	11,600 - 14,500 lm	Up to 21,750 lm
Weight	1.8 kg	2.8 kg	3.9 kg
Power factor	> 0.90		
Lifetime L70B10	> 50,000 h		
CCT	4,000 K, other upon request		
CRI	> 70		
Ingress protection	IP 66		
Mechanical strength	IK 08		
Surge protection options	6kV; SPD 10kV/kA (Optional)		
Operating temperature	-30 °C to + 50 °C		
Colour	Matte black		
Housing material	Aluminium		
Warranty	5 years		
Certificates	CE		



145 lm/W
System efficacy



LED module



Energy saving product



Overload protection



220-240V
Supply voltage



IP 66
Protection class



IK 08
Mechanical strength



Long life



Low maintenance



Ready to use



Easy mounting



CE certificate

MAIN FEATURES

Efficacy up to 145 lm/W

Easy mounting

No flickering

Compact size and light weight 180°
projecting angle

APPLICATIONS

Architectural lighting

Billboards

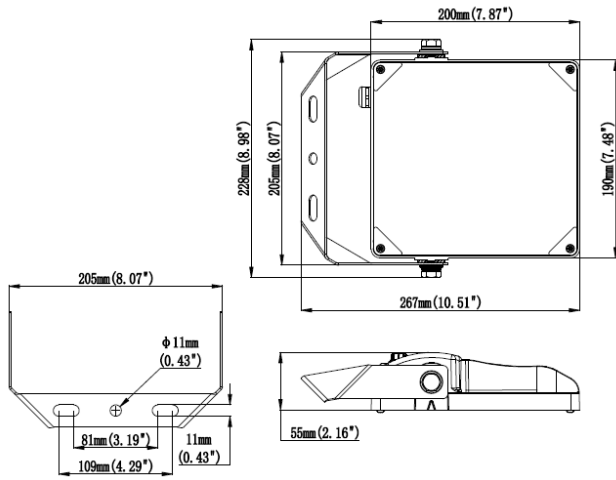
Parking lots

Gas stations

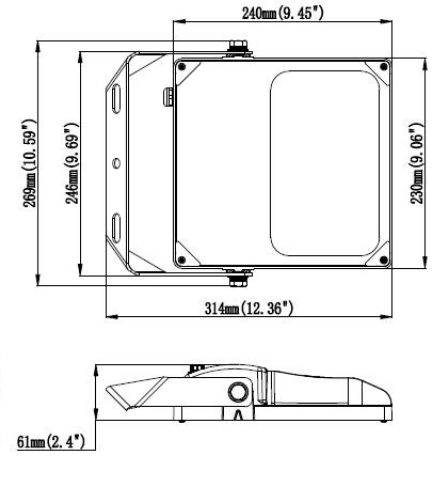
Small and medium sport fields

DIMENSIONS

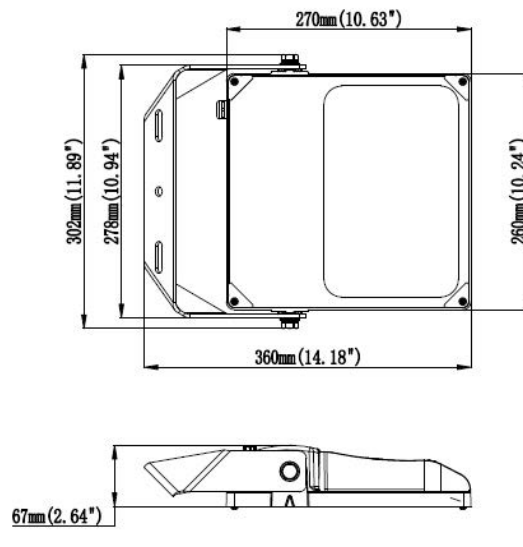
30-50 w



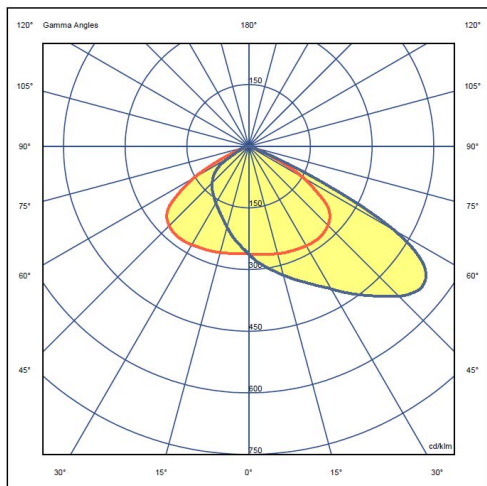
80-100 W



150 W



OPTIC



Asymmetric light distribution of 45°.

PRODUCT VARIATION

Article	Power [W]	Luminous flux [lm]*	Efficacy [lm/W]
F LUM MINI G2 064.050.000.4070	30-50	4,350-7,250	145
F LUM MINI G2 128.100.000.4070	80-100	11,600-14,500	145
F LUM MINI G2 192.150.000.4070	150	do 21,750	145

*Luminous flux is valid for CCT 4000 K